

®

Mi-T-M[®] CORPORATION

8650 Enterprise Drive, Peosta IA 52068

319-556-7484 / Fax 319-556-1235

PARTS LIST FOR HSE-1002-0M10 HSE-1502-0M10 HSE-2003-0M10 (AFTER SERIAL #22664)

PUMP OIL GRADE:
PUMP OIL CAPACITY:
FUEL NOZZLE:

Mi-T-M #AW-4085-0016
11.2 oz

HSE-1002/1502-0M10:
HSE-2003-0M10:

1.10 60°B Delavan
1.25 60°B Delavan

BTU INPUT:

HSE-1002/1502-0M10:
HSE-2003-0M10:

186,000 / hour
207,000 / hour

PRESSURE NOZZLE SIZE:

HSE-1002-0M10:
HSE-1502-0M10:
HSE-2003-0M10:

4.0
3.0
3.5

This Parts Listing has been compiled for your benefit. You can be assured your Mi-T-M® hot water pressure washer was constructed and designed with quality and performance in mind using over 25 years experience in the pressure washer business. Each component has been rigorously tested to insure the highest level of acceptance.

The contents of this Parts Listing are based on the latest product information available at the time of publication. Mi-T-M® reserves the right to make changes in price, color, materials, equipment, specifications or models at any time without notice.

WARNING

THIS IS A PROFESSIONAL HIGH PRESSURE, HOT WATER PRESSURE WASHER. CAUTION SHOULD BE OBSERVED WHEN USING OR REPAIRING THIS UNIT! READ AND FOLLOW THE SAFETY WARNINGS LISTED BELOW BEFORE ATTEMPTING ANY REPAIRS ON THIS PRESSURE WASHER!

SAFETY WARNINGS

1. NEVER alter or modify the equipment. Be sure any accessory items and system components being used will withstand the pressure developed. Use only genuine Mi-T-M® parts for repair of your pressure washer. Failure to do so can cause hazardous operating conditions and will VOID warranty.
2. NEVER make adjustments on machinery while the unit is connected to the power source. Turning over the machinery by hand during adjustment or cleaning might start the machinery, causing serious injury to the operator.
3. Know how to stop and bleed pressures quickly. Be thoroughly familiar with controls.
4. Before servicing the unit, turn unit off, relieve the water pressure and allow the unit to cool down. Do not make repairs while the unit is running. Service in a clean, dry, flat area. Block the wheels to prevent the unit from moving. Be especially careful to properly dispose of any flammable materials.
5. After testing the machine, DO NOT leave the pressurized unit unattended. Shut off the unit and release trapped pressure before leaving.

Table of Contents

SPECIFICATIONS3

FLOW CHART4

GENERAL THEORY OF OPERATION5

FRAME ASSEMBLY6

MOTOR/PUMP ASSEMBLY8

MOTOR (850-0213, 850-215, 850-216)10

HIGH PRESSURE PUMP (3-0071 & 3-0168)12

UNLOADER (8-0470)14

PRESSURE SWITCH (22-0171)16

COIL DRAIN PLUG (850-0218)18

HEAT EXCHANGER/BLOWER MOTOR20

BOILER ASSEMBLY (850-0212)22

GUN/WAND (850-0179) & ADJUSTABLE PRESSURE DUAL LANCE (850-0185)24

FUEL TANK (850-0214)26

FUEL PUMP (3-0020)27

FUEL SOLENOID (44-0101 AND 44-0102)27

CONTROL PANEL28

WIRE SCHEMATIC FOR HSE-1002/1502-0M1030

WIRE DIAGRAM FOR HSE-1002/1502-0M1031

WIRE SCHEMATIC FOR HSE-2003-0M1032

WIRE DIAGRAM FOR HSE-2003-0M1033

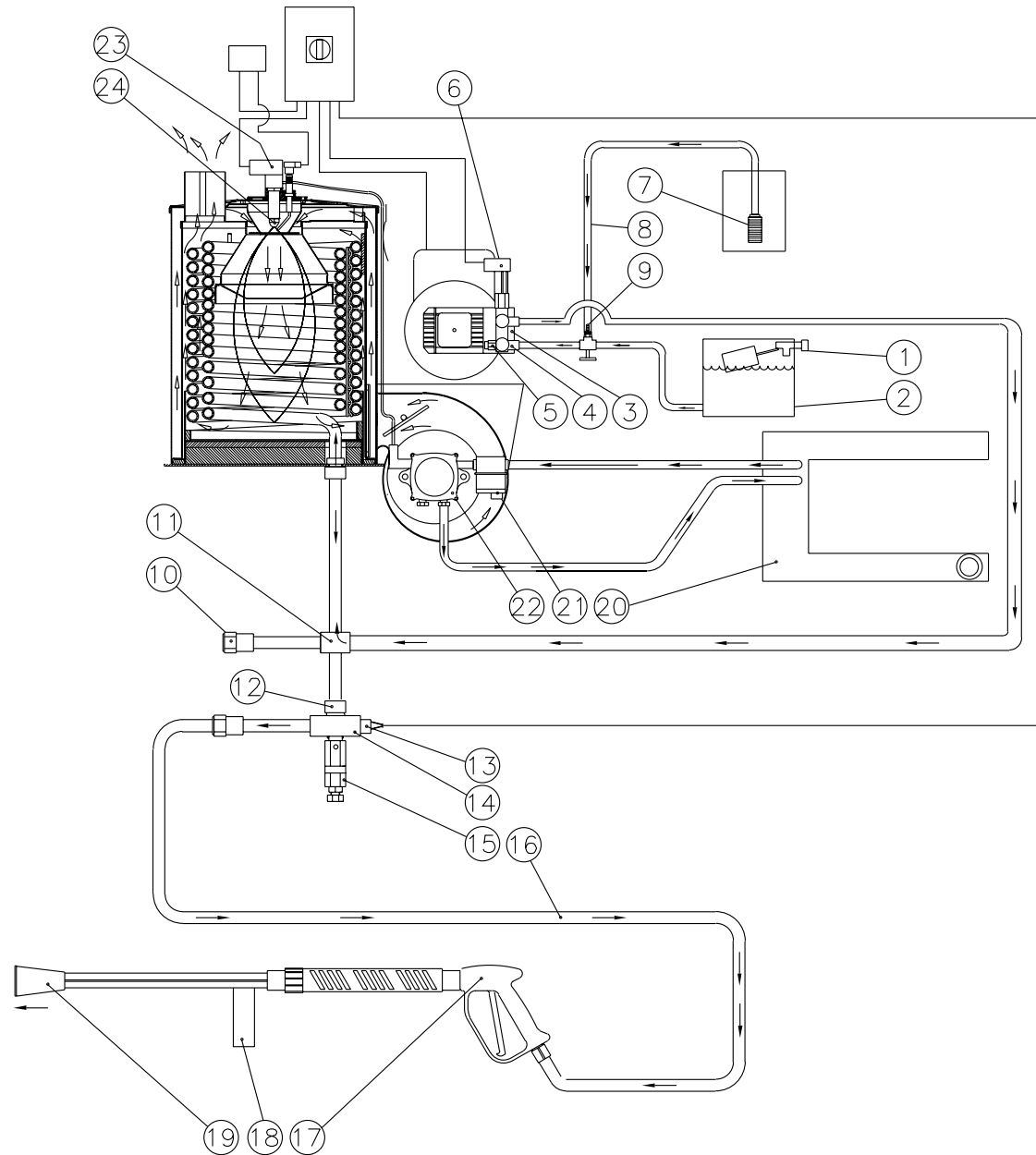
NOTES34

SPECIFICATIONS

HSE-1002/1502/2003-0M10

MODEL NUMBER	HSE-1002-0M10	HSE-1502-0M10	HSE-2003-0M10
Operating Pressure (PSI/Bar):	1000/70 (+/- 5%)	1500/103 (+/- 5%)	2000/138 (+/- 5%)
Water Volume (GPM/lpm):	2.0/ 7.6 (+/- 5%)	2.0/ 7.6 (+/- 5%)	2.8/ 10.6 (+/- 5%)
Outlet Water Temperature (F/C):	140 F/ 60 C (+/- 10 F) rise above inlet ambient (210 F/ 99 C maximum)		
Motor:	TEFC		
Horsepower	1.5	2.0	4.0
Phase	Single		
Voltage	120		240
Amps	13	17	17
High Pressure Pump:	Direct Driven, Oil Bath, Triplex Piston		
Oil Type	Mi-T-M Pump Oil #AW-4085-0016		
Oil Capacity (oz./liters)	11.2/0.33		
Plungers	Ceramic		
Manifold	Forged Brass		
Valves	Stainless Steel		
Unloader	Preset		
Heat Dump Valve	Relieves heated water during unloader bypass stage		
Detergent Injector:	Adjustable High Pressure		
Burner Fuel System:			
Fuel Type	No.1 or No.2 Fuel Oil, Diesel or Kerosene		
Fuel Capacity (Gal./liters)	4.0/15.1		
Fuel Filter/ Water Separator	Spin on (10 micron) filter/ E-Z water drain		
Fuel Pump	Two Line, Single Stage		
Fuel Pressure (PSI/ BAR)	145 /10		
Fuel Nozzle	1.10 60 B Delavan	1.25 60 B Delavan	
Fuel Consumption (GPH/ LPH)	1.33/ 5.0 Cont. Burning		1.48/ 5.54 Cont. Burning
Voltage	120		240
Amps	2		
Heat Exchanger:	Vertical, Top fired, Sual Spiral Coil		
BTU Input	186,000		207,000
Efficiency	86% with #2 Fuel Oil/ Diesel		
Smoke Density	0-3 per ASTM D2156		
Controls:			
On/ Off Switch	Industrial grade cam switch		
Pressure Switch	Shuts off burner fuel supply upon trigger release		
High Limit Switch	Shuts off burner fuel supply when outlet water temp. exceeds 210 F/ 99 C		
Fuel Solenoid:	120 Volt	240 Volt	
Safety Relief:	Relieves excess system pressure		
Unit Net Weight (Lbs/Kg)	250/113	258/117	273/124
Unit Shipping Weight (Lbs/Kg)	373/169	381/173	396/179
Unit Net Dimension (In/Cm)	34Lx29Wx33H/ 86Lx74Wx84H		
Unit Shipping Dimension (In/Cm)	46.5Lx31.5Wx48.5H/118Lx80Wx123H		

FLOW CHART



GENERAL THEORY OF OPERATION

WATER FLOW: Connect a pressurized water source to the INLET GARDEN HOSE CONNECTION (1) and turn on the water supply. The water will flow through a WATER STRAINER (2) which has a clear inspection bowl.

The water then travels into the TRIPLEX HIGH PRESSURE PUMP (3) which has an UNLOADER (4) that bypasses the water when the trigger gun is closed. To protect the pump from heated water during this bypass stage, a HEAT DUMP VALVE (5) will open at 140°F/60°C allowing the heated water to escape. The Heat Dump Valve automatically resets when the water cools. The PRESSURE SWITCH (6) controls the fuel supply to the burner.

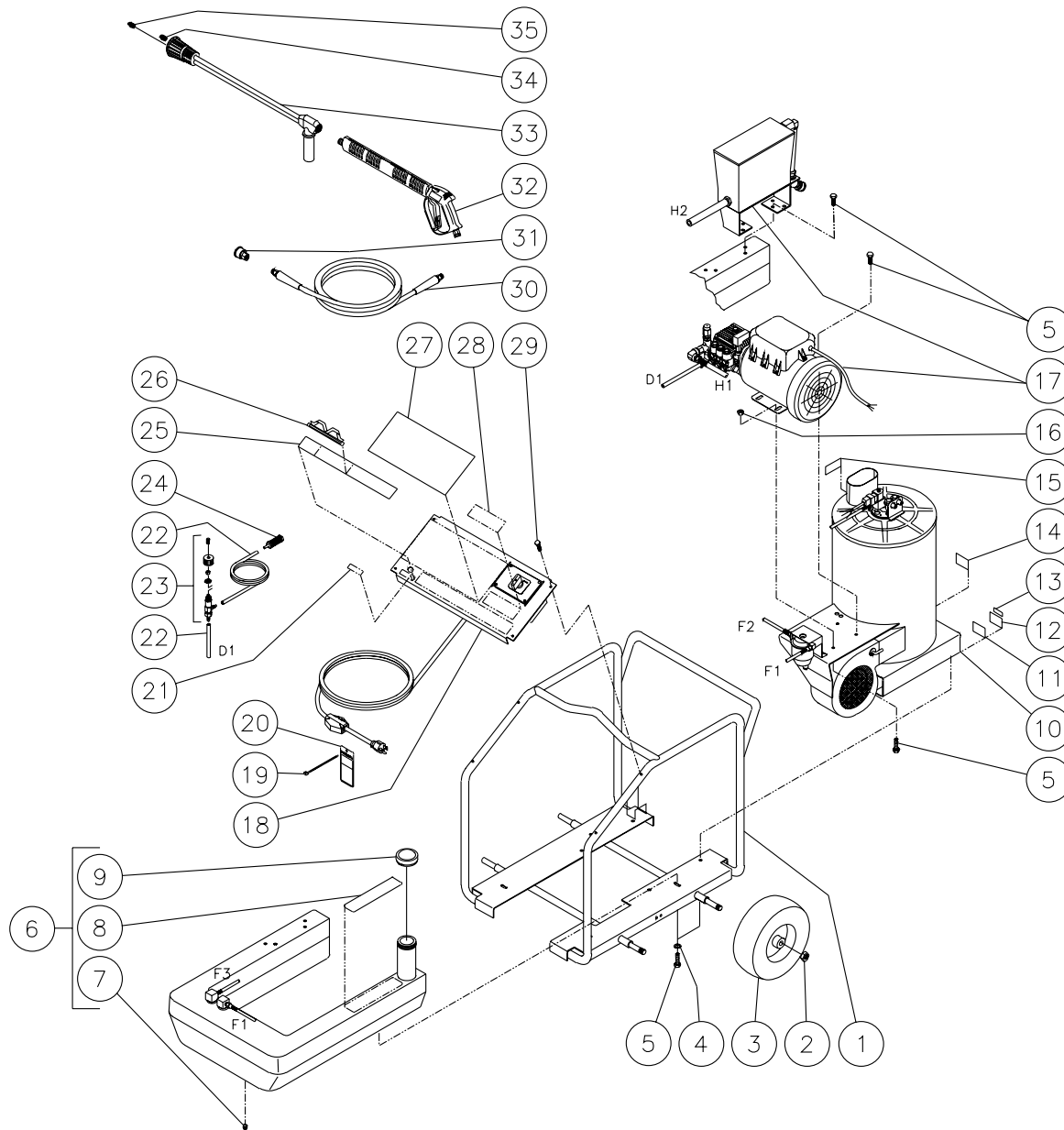
When using detergents, the solution passes through the DETERGENT STRAINER (7) located on the DETERGENT HOSE (8). The detergent solution then travels into the ADJUSTABLE LOW PRESSURE DETERGENT INJECTOR (9).

From there, the water may be allowed to flow out of the DRAIN PLUG (10) or through the HEAT EXCHANGER INLET (11) where it is heated when the burner is on. As the water exits the HEAT EXCHANGER OUTLET (12), it enters a safety system which protects the operator from danger. The safety system contains a HIGH TEMPERATURE LIMIT SWITCH (13) which senses the water temperature and shuts off the fuel supply to the burner if it gets too hot. If the unloader fails to bypass the water or the burner remains on when the trigger gun is closed, the SAFETY RELIEF (15) will relieve and allow water to exit safely.

The heated water then flows through the HIGH PRESSURE HOSE (16) and to the TRIGGER GUN ASSEMBLY (17) which allows the operator to control the water spray. When the trigger gun is open, the water flows through the ADJUSTABLE PRESSURE DUAL LANCE (18) and exits the NOZZLE (19).

FUEL FLOW: The Fuel Pump draws fuel from the FUEL TANK (20) through a replaceable FUEL FILTER/WATER SEPARATOR (21) and into the FUEL PUMP (22). Fuel exits the fuel pump, into a FUEL SOLENOID VALVE (23) which controls fuel flow to the FUEL NOZZLE (24) where it ignites and burns in the heat exchanger.

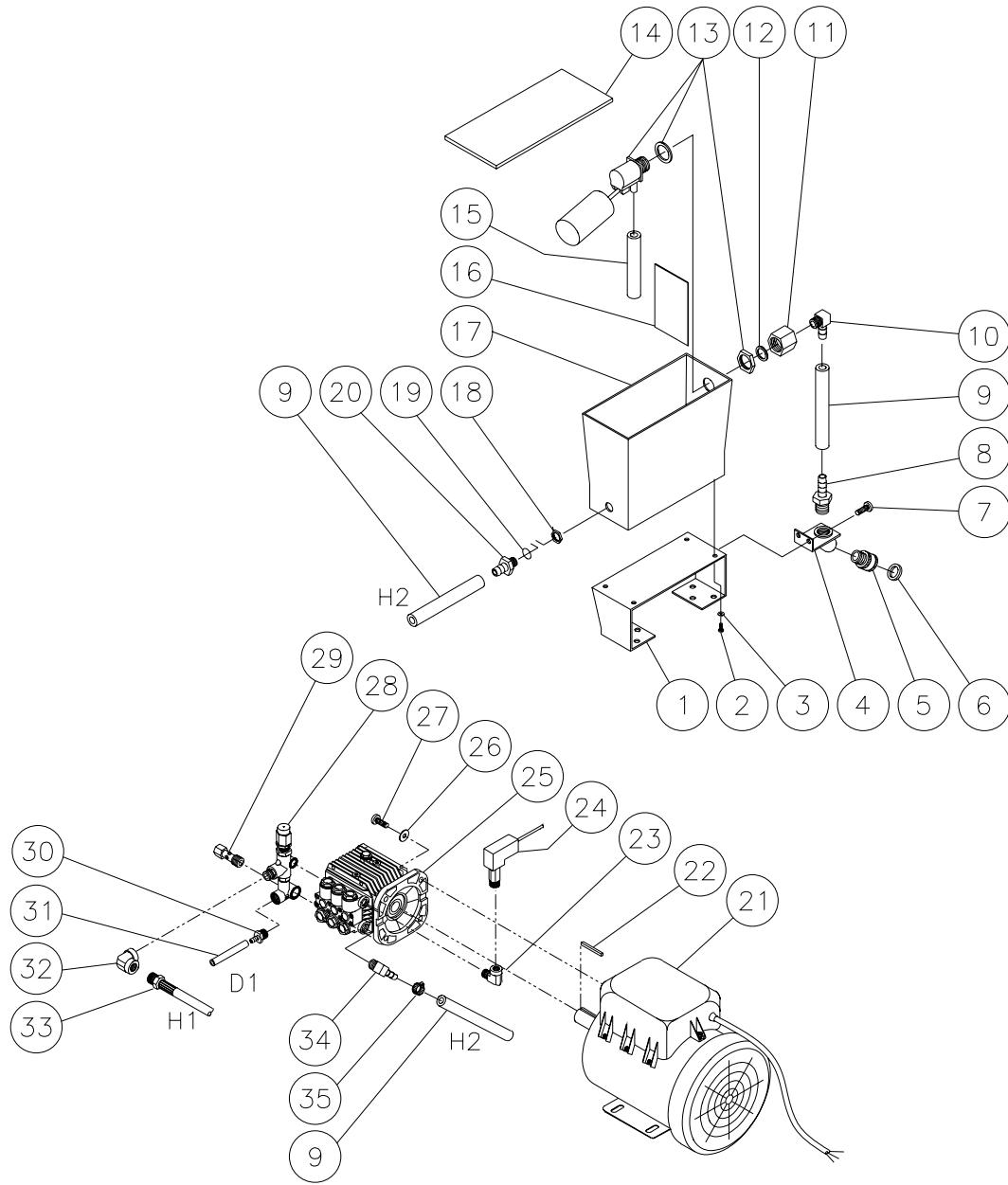
FRAME ASSEMBLY



OMHSE012-102798-BAR

FRAME ASSEMBLY							
REF. #	DESCRIPTION	PART #	QTY.	REF. #	DESCRIPTION	PART #	QTY.
1	Frame Assembly	5-0128A01	1	21	Decal-Detergent Valve	34-0809	1
2	Hex Jam Nut	30-0117	4	22	Detergent Hose *(Six Feet Required)	15-0021	1
3	Wheel	14-0017	4	23	Detergent Valve	22-0226	1
4	Flatwasher	28-0022	8	24	Strainer w/Check Valve	19-0056	1
5	Bolt	27-9524	16	25	Decal-Stripe	34-0502	1
6	Fuel Tank Assembly	850-0214	1	26	Mi-T-M Logo	62-0087	1
7	Plug	23-0296	1	27	Decal-Warning/Caution./Oper. (E/S)	34-0794	1
8	Decal-Do Not Use Gasoline (E/S)	34-0806	1	28	Decal-Die Cut 1002	34-0302	1
9	Fuel Cap-Vented	12-0033	1	-	Decal-Die Cut 1502	34-0825	1
10	Heat Exchanger Assy. (See Exploded Drawing)	N/A Sep.	1	-	Decal-Die Cut 2003	34-0551	1
11	Silver Sticker	34-0083	1	29	Bolt	27-9527	4
12	Clear Laminate	34-0210	1	30	Hose Assembly	15-0146	1
13	Serial Number	N/A	1	31	Screw Connect	17-0035	1
14	Decal-Warning: Risk of Explosion (E/S)	34-0807	1	32	Gun/Lance Assembly	850-0179	1
15	Decal-Warning: Hot Surfaces (E/S)	34-0808	1	33	Dual Lance Assembly	16-0327	1
16	Hex Nut	30-3023	3	34	Nozzle-1504 for HSE-1002-0M10	18-0054	1
17	Motor Pump Assy. (See Exploded Drawing)	N/A Sep.	1	-	Nozzle-1503 for HSE-1502-0M10	18-0053	1
18	Control Panel (See Exploded Drawing)	N/A Sep.	1	-	Nozzle-15035 for HSE-2003-0M10	18-0254	1
19	Cable Tie	33-0022	1	35	Nozzle-4060	18-0110	1
20	Decal-Hang Tag (E/S)	34-0417	1	*Must Order in One Foot Lengths			

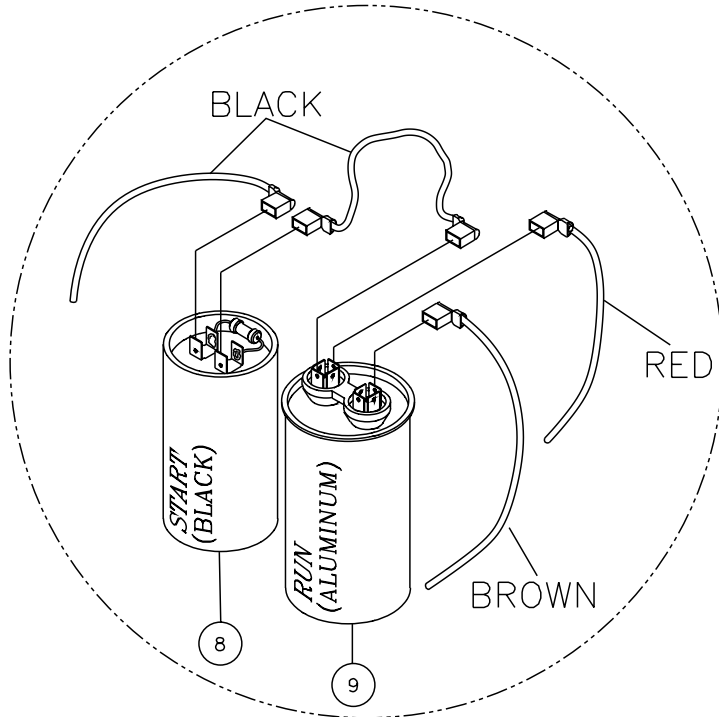
MOTOR/PUMP ASSEMBLY



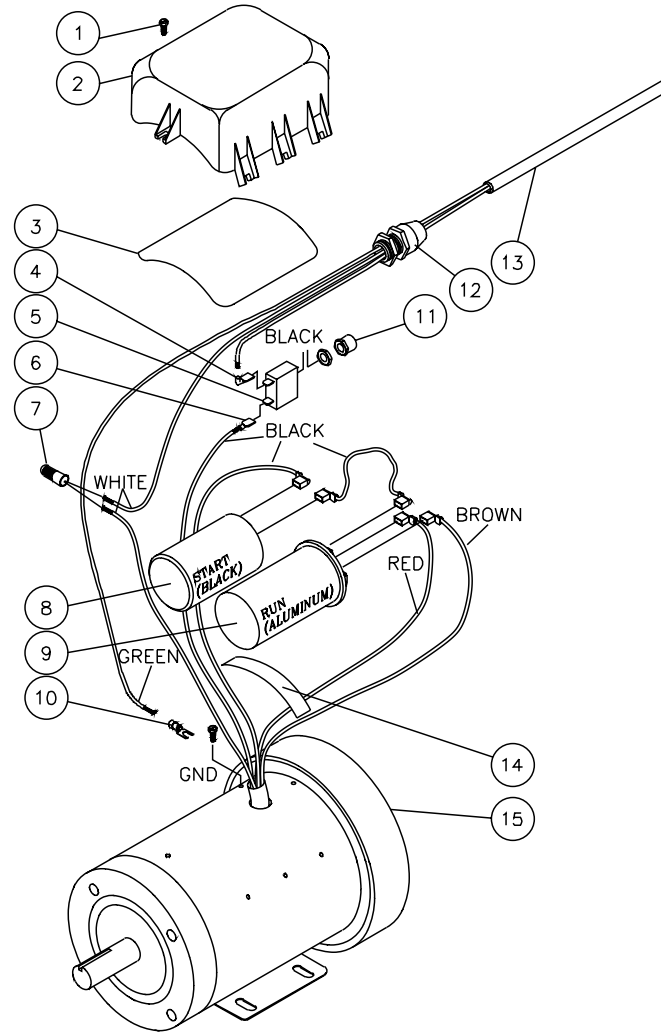
OMHSE011-103098-BAR

MOTOR/PUMP ASSEMBLY								
REF. #	DESCRIPTION	PART #	QTY.		REF. #	DESCRIPTION	PART #	QTY.
1	Bracket/ Float Tank	20-0415A01	1		21	Motor Assembly-1.5 HP for 1002	850-0213	1
2	Screw	27-2930	4		-	Motor Assembly-2.0 HP for 1502	850-0215	1
3	Flatwasher	28-0001	4		-	Motor Assembly-4.0 HP for 2003	850-0216	1
4	Bracket	20-0422A01	1		22	Key	43-0072	1
5	Garden Hose Swivel	23-0095	1		23	Elbow	23-0014	1
6	Gasket	26-0001	1		24	Pressure Switch	22-0171	1
7	Bolt	27-9524	2		25	Pump Assembly- 1500 PSI	3-0071	1
8	Hose Barb	23-0005	1		-	Pump Assembly- 2000 PSI	3-0168	1
9	Hose *(Two Feet Required)	15-0007	1		26	Washer	29-0155	4
10	Elbow	23-0320	1		27	Bolt	27-0118	4
11	Adapter	23-0321	1		28	Unloader Valve	8-0470	1
12	Gasket	26-0166	1		29	Heat Dump Valve	22-0213	1
13	Float Valve Assembly	22-0225	1		30	Hose Barb	23-0052	1
14	Float Tank Lid	62-0103	1		31	Detergent Hose *(One Foot Required)	15-0021	1
15	Clear Hose *(1/2 Foot Required)	15-0026	1		32	Elbow	23-0307	1
16	Baffle	62-0102	1		33	Hose Assembly	15-0174	1
17	Float Tank Assembly	12-0055	1		34	Elbow	23-0050	1
18	Hex Nut	23-0138	1		35	Clamp	42-0011	1
19	O-ring	25-0427	1					
20	Hose Barb for 1002/1502	23-0318	1					
-	Hose Barb for 2003	23-0322	1					
*Must order in one foot lengths.								

MOTOR (850-0213, 850-215, 850-216)

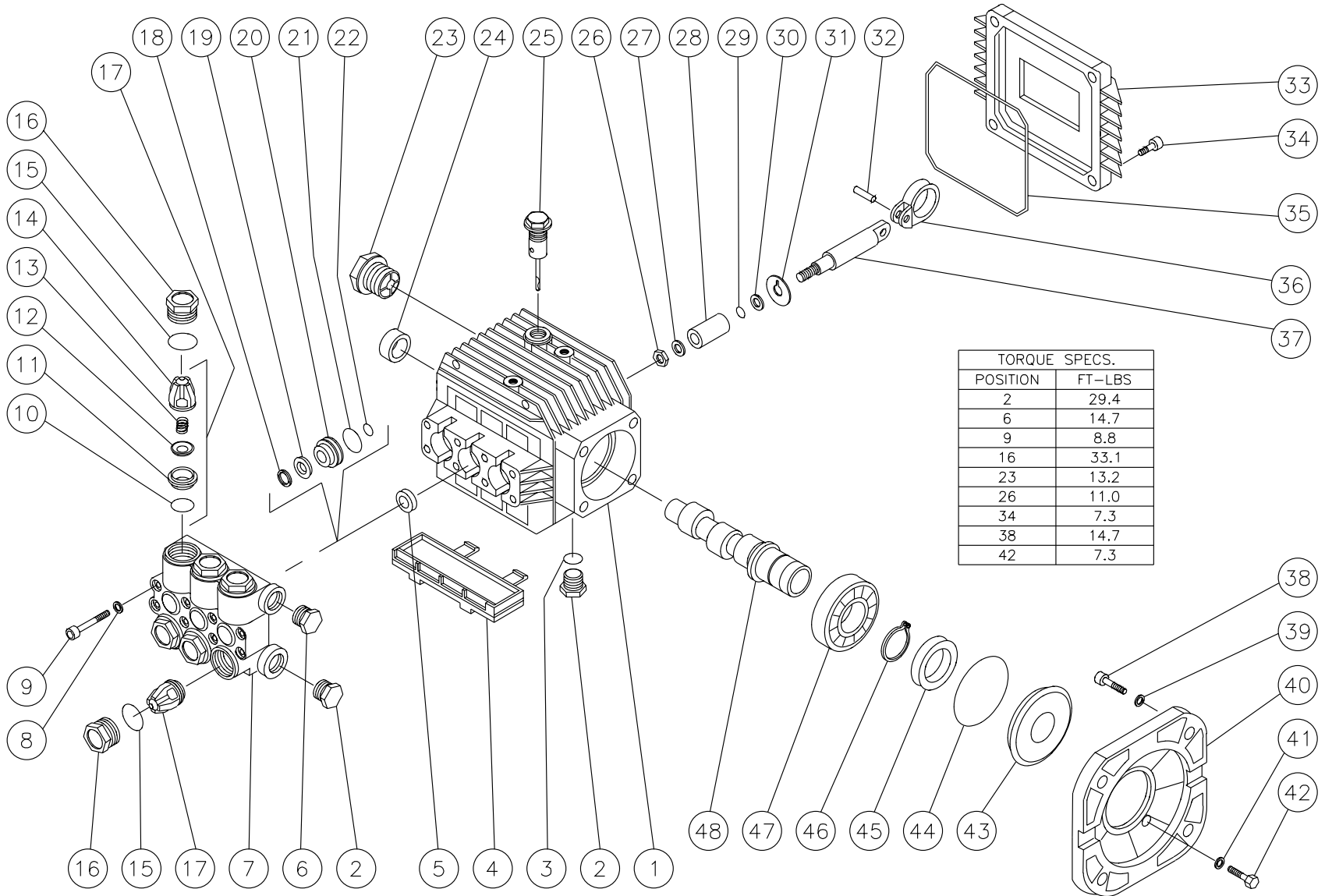


CAPACITOR TERMINAL ASSEMBLY



MOTOR (850-0213, 850-0215, 850-0216)			
REF.	DESCRIPTION	PART #	QTY.
1	Screw	27-8389	8
2	Motor Box	52-0041	1
3	O-ring	25-0338	1
4	Terminal	32-0451	2
5	Circuit Breaker 20 Amp (HSE-1002-0M10)	32-0438	1
-	Circuit Breaker 25 Amp (HSE-1502/2003-0M10)	32-0439	1
6	Terminal Spade	32-0221	1
7	Crimp Splice	32-0359	1
8	Capacitor-Start 1.5 w/Motor (HSE-1002-0M10)	32-0411	1
-	Capacitor-Start 2.0 w/Motor (HSE-1502-0M10)	32-0412	1
-	Capacitor-Start 4.0 w/Motor (HSE-2003-0M10)	32-0449	1
9	Capacitor-Run 1.5 & 2.0 HP w/Motor (HSE-1002/1502-0M10)	32-0413	1
-	Capacitor-Run 4.0 HP w/Motor (HSE-2003-0M10)	32-0450	1
10	Terminal-Fork	32-0034	1
11	Rubber Boot	32-0441	1
12	Strain Relief	32-0437	1
13	Cord *(Two Feet Required)	32-0440	1
14	Motor Box Strap	52-0042	1
15	Motor	N/A	1
	Motor Assembly Complete-1.5 HP (HSE-1002-0M10)	850-0213	
	Motor Assembly Complete-2.0 HP (HSE-1502-0M10)	850-0215	
	Motor Assembly Complete-4.0 HP (HSE-2003-0M10)	850-0216	
*Must Order in One Foot Lengths			

HIGH PRESSURE PUMP (3-0071 & 3-0168)

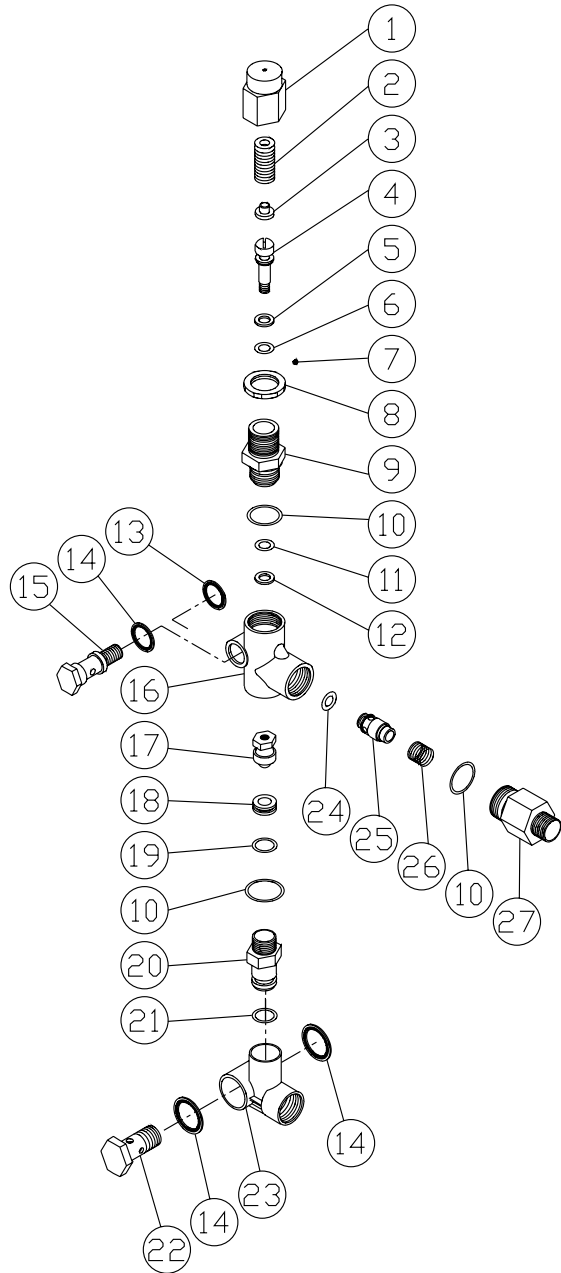


TORQUE SPECS.	
POSITION	FT-LBS
2	29.4
6	14.7
9	8.8
16	33.1
23	13.2
26	11.0
34	7.3
38	14.7
42	7.3

3-0071-100499-RD

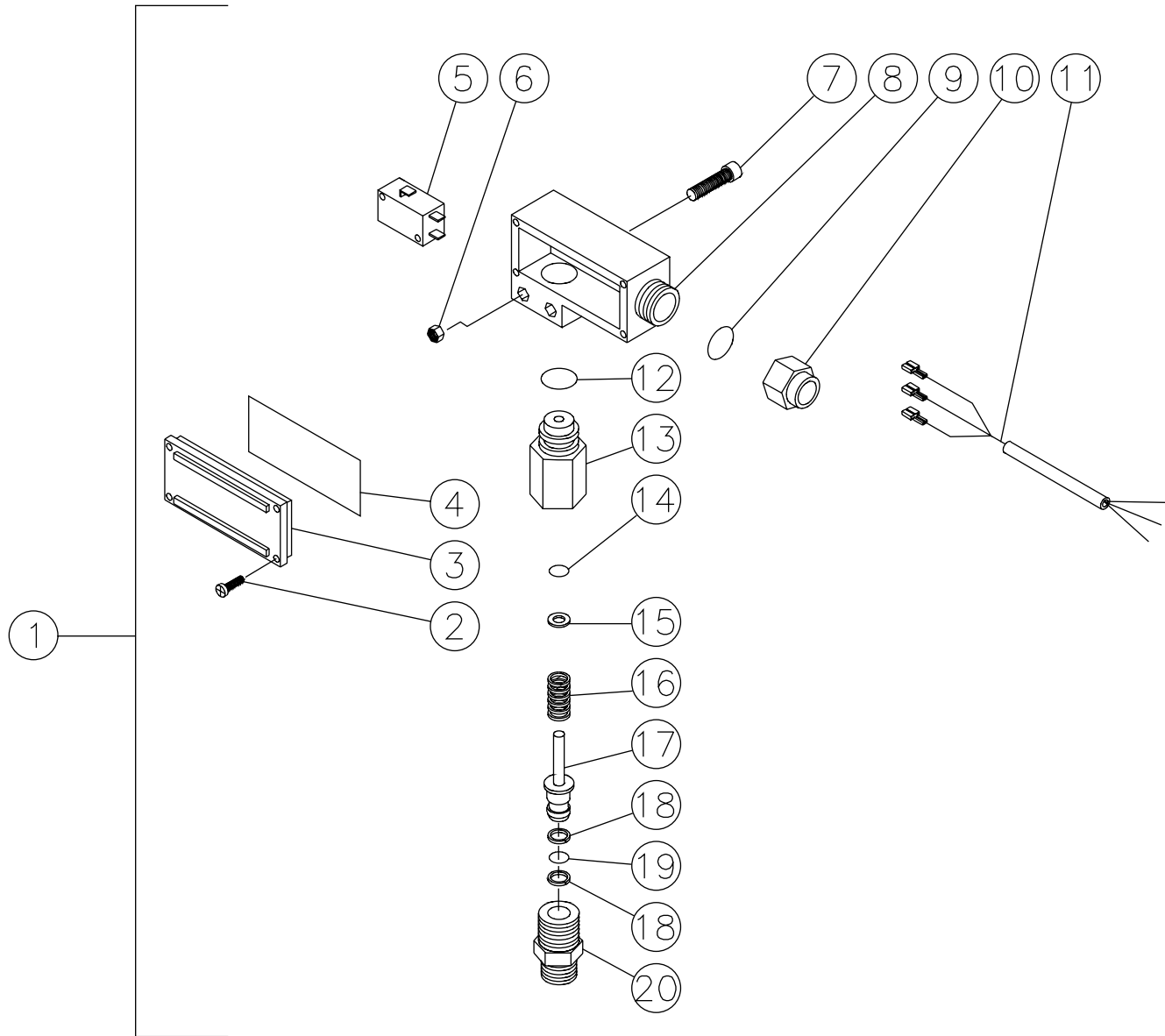
PUMP (3-0071 & 3-0168)							
REF. #	DESCRIPTION	PART #	QTY.	REF. #	DESCRIPTION	PART #	QTY.
1	Crankcase	46-0221	1	27	Washer	46-0166	3
2	Plug	39-0018	2	28	Plunger- Ceramic	46-0148	3
3	O-ring	25-0052	1	29	O-ring	25-0045	3
4	Drip Pan	46-0229	1	30	Back-up Ring	25-0143	3
5	Oil Seal	26-0111	3	31	Washer	46-0167	3
6	Plug	39-0017	1	32	Conecting Rod	43-0044	3
7	Manifold- Brass	46-0163	1	33	Crankcase Cover	46-0151	1
8	Lockwasher	29-0153	12	34	Bolt	27-8409	4
9	Bolt	27-8406	8	35	Cover O-ring	25-0332	1
10	O-ring (See 70-0009)	N/A Sep.	6	36	Connecting Rod	46-0152	3
11	Valve Seat (See 70-0009)	N/A Sep.	6	37	Piston Guide	46-0149	3
12	Valve Plate (See 70-0009)	N/A Sep.	6	38	Bolt	27-0118	4
13	Valve Spring (See 70-0009)	N/A Sep.	6	39	Lockwasher	29-0155	4
14	Valve Cage (See 70-0009)	N/A Sep.	6	40	Flange	38-0032	1
15	O-ring	25-0012	6	41	Lockwasher	29-0153	4
16	Valve Plug	39-0035	6	42	Bolt	27-8409	4
17	Valve Assembly (Includes 10-14) (See 70-0009)	N/A Sep.	6	43	Bearing Spacer	46-0087	1
18	Head Ring (See 70-0024)	N/A Sep.	3	44	O-ring	25-0060	1
19	V-packing (See 70-0024)	N/A Sep.	3	45	Oil Seal	26-0126	1
20	V-packing Retainer	46-0158	3	46	Snap Ring	46-0245	1
21	O-ring	25-0141	3	47	Ball Bearing	48-0024	1
22	O-ring	25-0128	3	48	Crankshaft (Pump 3-0071)	46-0277	1
23	Oil Level Indicator	46-0114	1	-	Crankshaft (Pump 3-0168)	46-0233	1
24	Bearing	48-0019	1		Valve Kit (Includes 3 each 10-14, 17)	70-0009	
25	Oil Dip Stick	46-0143	1		V-packing Kit (Includes 3 each 18-19, 21-22)	70-0024	
26	Nut	46-0168	3		V-packing Assembly (Includes 18-22)	70-0023	

UNLOADER (8-0470)



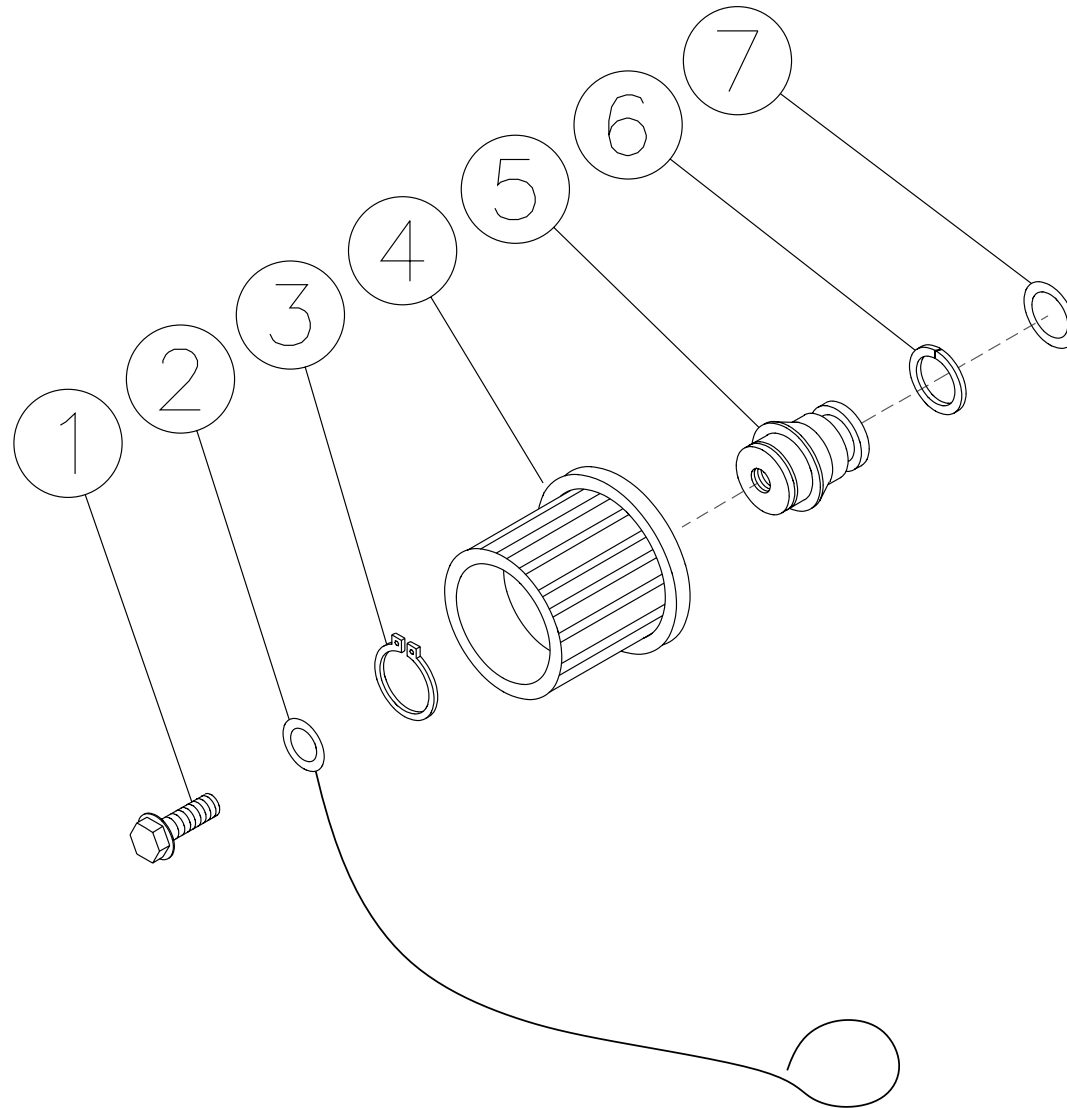
UNLOADER (8-0470)			
REF. #	DESCRIPTION	PART #	QTY.
1	Adjusting Cap	39-0092	1
2	Spring	49-0120	1
3	Spring Retainer	8-0421	1
4	Piston Stem	46-0324	1
5	Back-up Ring	25-0206	1
6	O-ring (See 8-0470)	N/A Sep.	1
7	Set Screw	8-0479	1
8	Adjustable Locknut	46-0651	1
9	Piston Retainer	8-0424	1
10	O-ring (See 8-0470)	N/A Sep.	3
11	O-ring (See 8-0470)	N/A Sep.	1
12	Back-up Ring	25-00203	1
13	Washer	8-0433	1
14	Washer	8-0427	3
15	Banjo Connector	23-0286	1
16	Body (See 8-0470)	N/A Sep.	1
17	Valve and Ball Assembly	46-0320	1
18	Bypass Seat	8-0430	1
19	O-ring	25-0202	1
20	Bypass Fitting (See 8-0470)	N/A Sep.	1
21	O-ring	25-0376	1
22	Banjo Connector	23-0285	1
23	Banjo Bypass Fitting (See 8-0470)	N/A Sep.	1
24	O-ring	25-0375	1
25	Flow Balancer	8-0426	1
26	Spring	49-0121	1
27	Outlet Fitting	39-0091	1
	Unloader Complete (Includes 1-27)	8-0470	

PRESSURE SWITCH (22-0171)



PRESSURE SWITCH (22-0171)			
REF. #	DESCRIPTION	PART #	QTY.
1	Pressure Switch (218 PSI/15 Bar)	22-0171	1
2	Screw	N/A	4
3	Cover	N/A	1
4	O-ring	N/A	1
5	Micro Switch	N/A	1
6	Hex Nut	N/A	2
7	Screw	N/A	2
8	Housing	N/A	1
9	O-ring	N/A	1
10	Bushing Nut (Blue)	N/A	1
11	Wire Assembly	N/A	1
12	O-ring	N/A	1
13	Spring Housing	N/A	1
14	O-ring (See 70-0007)	N/A Sep.	1
15	Spacer	28-0218	1
16	Spring (218 PSI/15 Bar)	49-0107	1
17	Piston	N/A	1
18	Back-up Ring (See 70-0007)	N/A Sep.	2
19	O-ring (See 70-0007)	N/A Sep.	1
20	Hex Nipple	N/A	1
	O-ring Kit (Includes 14, 18, 19)	70-0007	

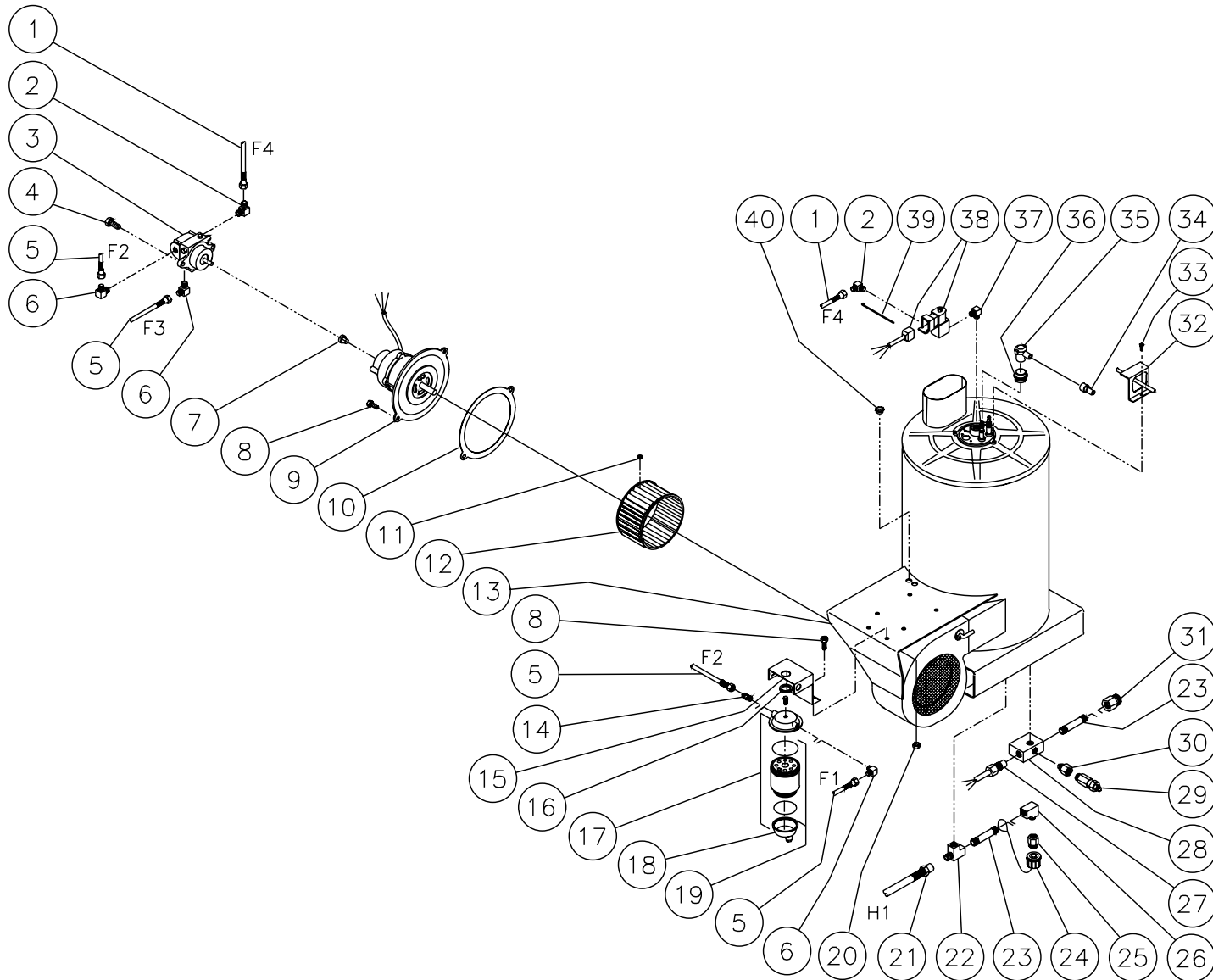
COIL DRAIN PLUG (850-0218)



850-0218-041597-BAR

COIL DRAIN PLUG (850-0218)			
REF. #	DESCRIPTION	PART #	QTY.
1	Bolt	27-9526	1
2	Retaining Cable	33-0260	1
3	Snap Ring	33-0261	1
4	Hand Wheel	16-0239	1
5	Plug	24-0147	1
6	Back-up Ring	25-0424	1
7	O-ring	25-0423	1

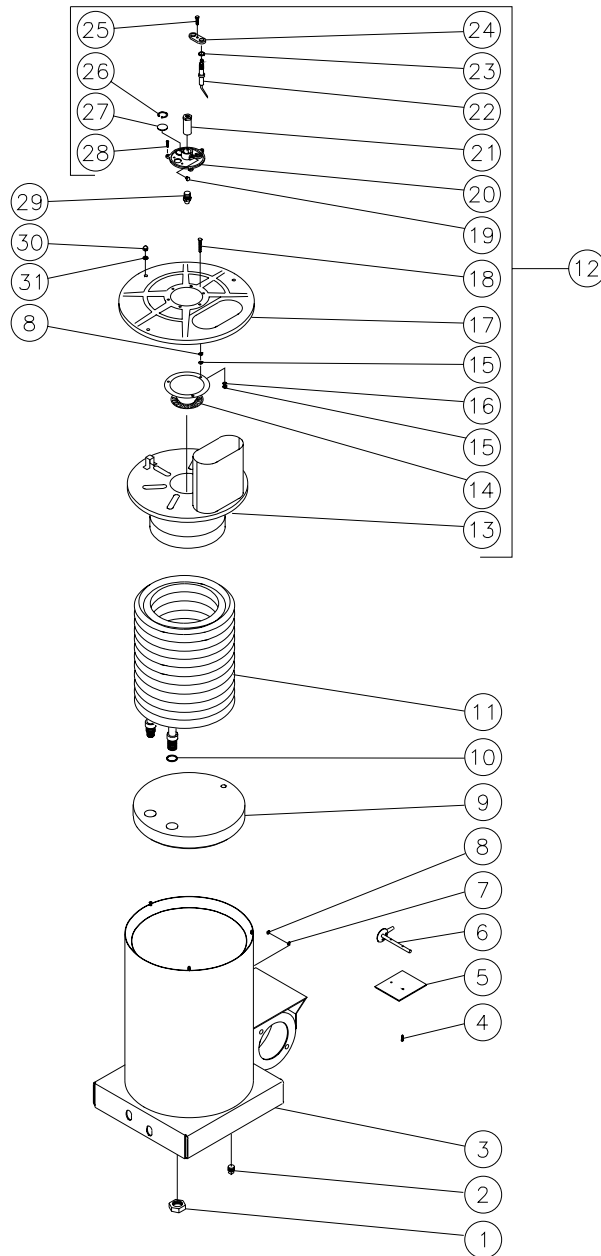
HEAT EXCHANGER/BLOWER MOTOR



OMHSE006-011599-BAR

HEAT EXCHANGER/ BLOWER MOTOR								
REF. #	DESCRIPTION	PART #	QTY.		REF. #	DESCRIPTION	PART #	QTY.
1	Fuel Hose Assembly	15-0173	1		22	Tee	23-0058	1
2	Elbow	23-0287	2		23	Pipe Nipple	24-0141	2
3	Fuel Pump	3-0020	1		24	Coil Drain Plug Assembly	850-0218	1
4	Bolt	27-8898	2		25	Adapter	23-0279	1
5	Fuel Hose Assembly	15-0147	3		26	Elbow	23-0306	1
6	Elbow	23-0237	3		27	High Limit Temp. Switch 120V	32-0423	1
7	Fuel Pump Flex Coupler	33-0265	1		-	High Limit Temp. Switch 240V	32-0421	1
8	Bolt	27-9524	4		28	Coil Outlet Block	24-0138	1
9	Blower Motor-120 Volt	2-0085	1		29	Pressure Relief Valve	22-0272	1
-	Blower Motor-240 Volt	2-0086	1		30	Adapter	23-0369	1
10	Shim	20-0460A01	1		31	Adapter	23-0197	1
11	Set Screw	30-3031	1		32	Electrode Bracket	20-0417A01	1
12	Blower Fan	44-0103	1		33	Screw	27-8803	3
13	Boiler Assembly	850-0212	1		34	Insulator- Black	32-0375	2
14	Male Connector	23-0247	1		35	Electrode Connector Cap	44-0083	2
15	Bracket for Fuel Water Seperator	20-0416A01	1		36	Electrode Boot	32-0418	2
16	Gasket	26-0001	1		37	Elbow	23-0249	1
17	Fuel Water Seperator	19-0070	1		38	Fuel Solenoid- 120V	44-0101	1
18	Fuel Water Sep. Bowl	19-0071	1		-	Fuel Solenoid- 240V	44-0102	1
19	Fuel Water Sep. Strainer	19-0053	1		39	Cable Tie	33-0022	1
20	Hex Nut	30-3023	2		40	Bushing	9-0028	2
21	Hose Assembly	15-0174	1					

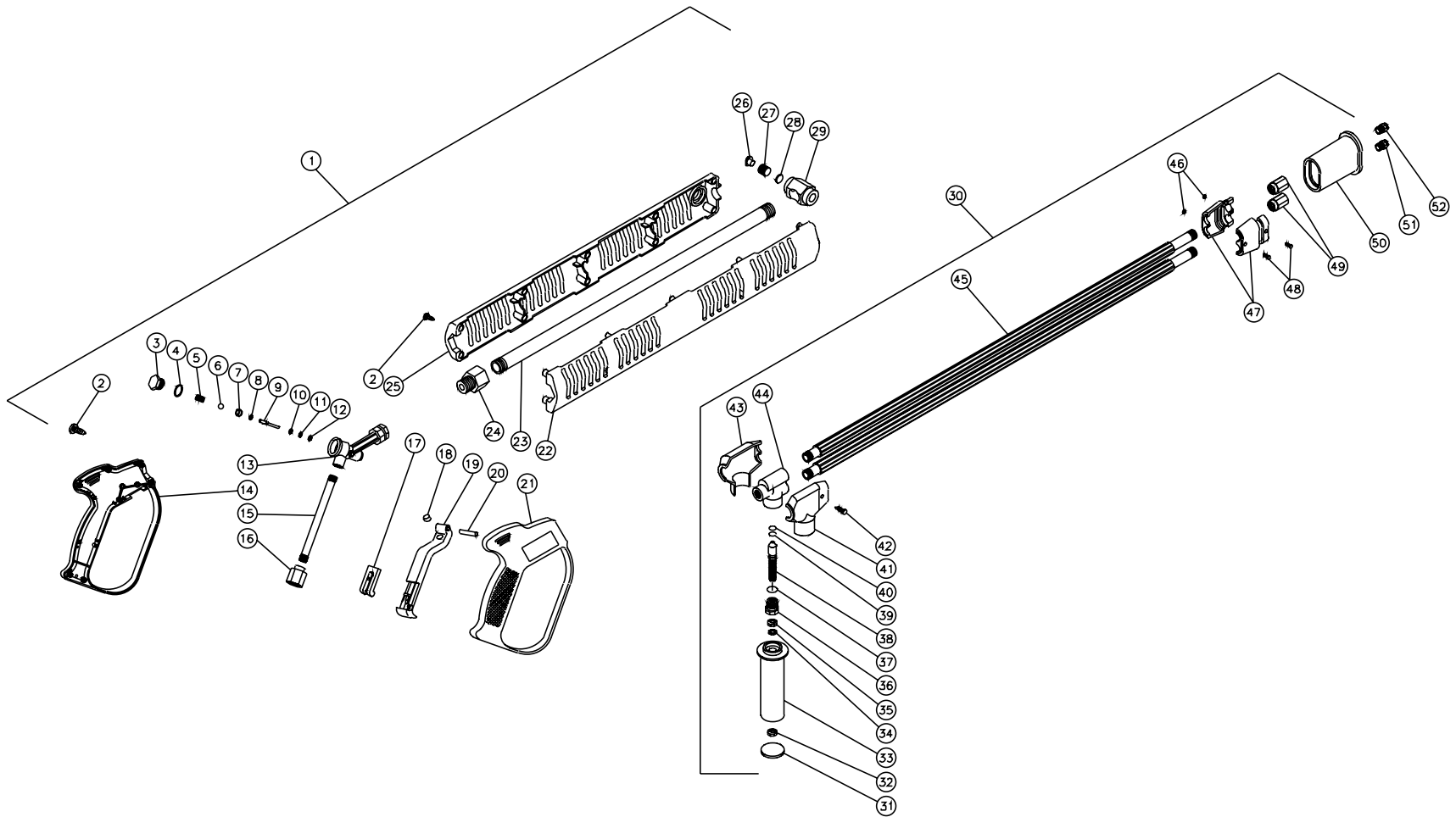
BOILER ASSEMBLY (850-0212)



850-0212-113099-BAR

BOILER ASSEMBLY (850-0212)								
REF. #	DESCRIPTION	PART #	QTY.		REF. #	DESCRIPTION	PART #	QTY.
1	Hex Nut	30-0121	2		17	Top Pan	20-0323	1
2	Plug	24-0034	1		18	Bolt	27-8806	3
3	Heat Exchanger Outer Wrap-Black	20-0404A01	1		19	Bolt	27-8805	1
4	Bolt Hex Head	27-8879	2		20	Support Plate	33-0183	1
5	Air Diverter Plate-Black	20-0378A01	1		21	Nozzle Holder	33-0182	1
6	Air Diverter Stem Assembly-Black	20-0377A01	1		22	Electrode	32-0377	2
7	Lockwasher	28-1009	1		23	Washer	28-1007	2
8	Nut	30-6001	4		24	Electrode Mounting Plate	33-0180	1
9	Bottom Insulation	33-0267	1		25	Bolt	27-8807	1
10	Washer	28-0521	2		26	Snap Ring	25-0290	1
11	Heat Exchanger Coil Assembly	66-0009	1		27	Sight Glass	33-0179	1
12	Pan Assembly (Includes 13-28)	70-0184	1		28	Bolt	27-8803	3
13	Exhaust Pan	20-0324	1		29	Fuel Nozzle	18-0268	1
14	Heat Deflector	20-0325	1		30	Acorn Nut	30-6002	3
15	Nut	30-6001	6		31	Star Washer	28-1028	3
16	Lockwasher	28-1009	3			Boiler Assembly (Inc. 1-28, 30, 31)	850-0212	

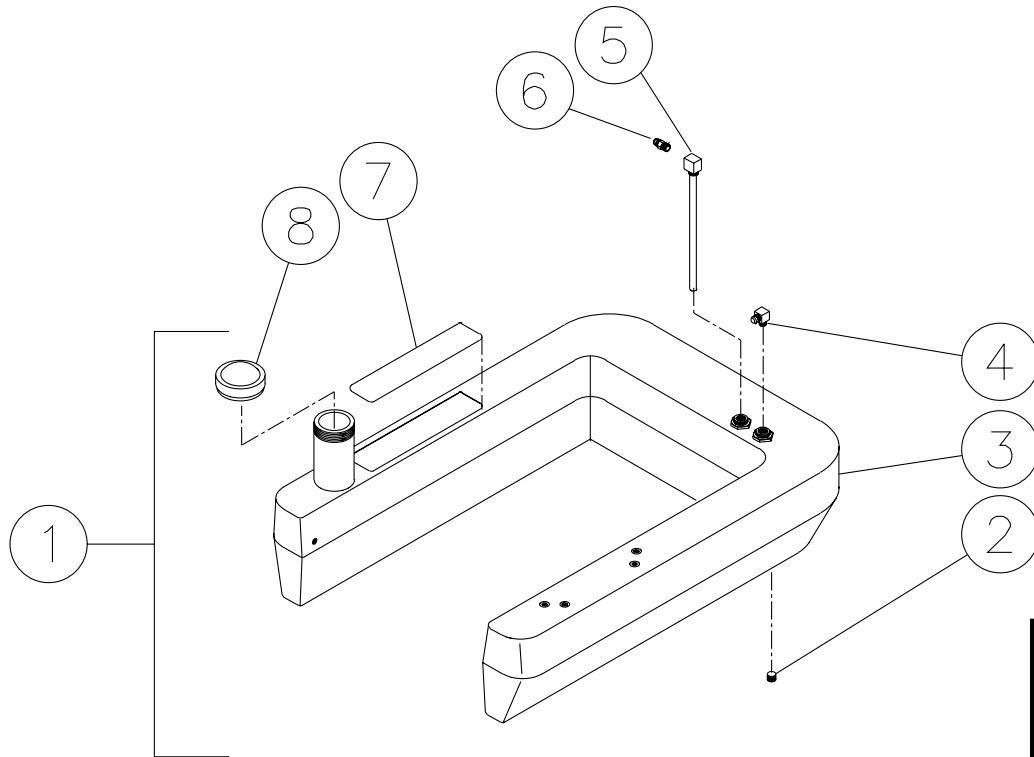
GUN/WAND (850-0179) & ADJUSTABLE PRESSURE DUAL LANCE (850-0185)



OMGEN256-022399-BAR

GUN/WAND (850-0179) & ADJUSTABLE PRESSURE DUAL LANCE (850- 0185)							
REF. #	DESCRIPTION	PART #	QTY.	REF. #	DESCRIPTION	PART #	QTY.
1	Gun w/Lance Assembly (2-29)	850-0179	1	28	Spacer	16-0282	1
2	Screw	27-8382	13	29	Lance Holder (See 850-0179)	N/A Sep.	1
3	Plug (See 70-0057)	N/A Sep.	1	30	Adjustable Dual Lance Assembly (Includes 31-51)	850-0185	1
4	O-ring (See 70-0057)	N/A Sep.	1	31	Handle Plug	16-0312	1
5	Spring (See 70-0057)	N/A Sep.	1	32	Hex Nut	30-3002	1
6	Ball (See 70-0057)	N/A Sep.	1	33	Handle	16-0313	1
7	Seat (See 70-0057)	N/A Sep.	1	34	Washer	28-1021	1
8	O-ring (See 70-0057)	N/A Sep.	1	35	Hex Nut	30-3010	1
9	Pin (See 70-0057)	N/A Sep.	1	36	Hex Adapter	23-0271	1
10	Washer (See 70-0057)	N/A Sep.	1	37	O-ring	25-0351	1
11	O-ring (See 70-0057)	N/A Sep.	1	38	Piston Stem	16-0314	1
12	Back-up Ring (See 70-0057)	N/A Sep.	1	39	Back-up Ring	25-0352	1
13	Housing	23-0295	1	40	O-ring	25-0353	1
14	Plastic Housing (Left Side)	16-0336	1	41	Upper Protector	16-0315	1
15	Pipe	21-0095	1	42	Lower Protector	16-0316	1
16	Nipple	23-0174	1	43	Body	23-0272	1
17	Trigger Safety Lock	16-0332	1	44	Screw	27-8862	1
18	Trigger Rest	16-0333	1	45	Lance w/Protective Cover	16-0328	2
19	Trigger	16-0335	1	46	Hex Nut	30-3060	2
20	Trigger Pin	43-0069	1	47	Pipe Clamp	16-0318	2
21	Plastic Housing (Right Side)	16-0334	1	48	Screw	27-8861	2
22	Guard Lance (Right Side)	16-0279	1	49	Nipple	24-0127	2
23	Pipe	16-0277	1	50	Nozzle Protector	16-0319	1
24	Adapter	16-0283	1	51	Nozzle-4060	18-0110	1
25	Guard Lance (Left Side)	16-0278	1	52	Nozzle-1503	18-0053	1
26	Plug	39-0076	1		Gun Repair Kit (Includes 3-12)	70-0057	
27	Screw	49-0103	1		O-ring Kit (Includes 37, 39, 40)	70-0143	

FUEL TANK (850-0214)



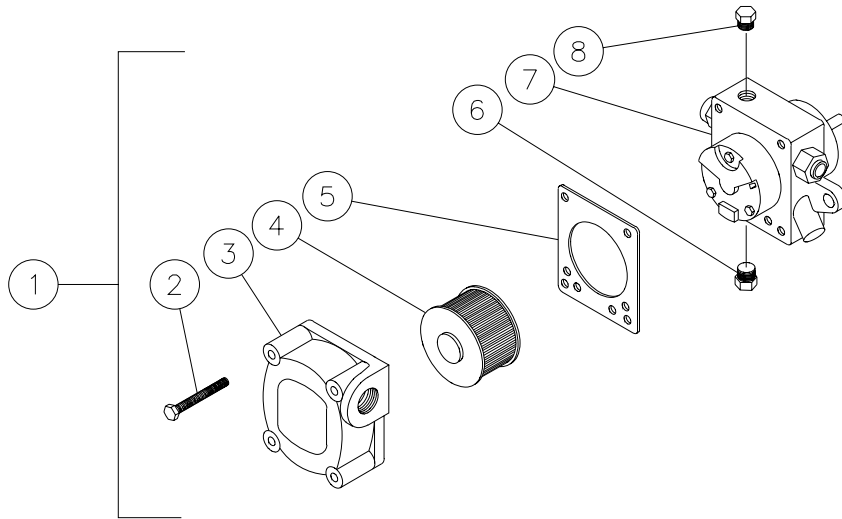
850-0214-121797-BAR

FUEL TANK (850-0214)			
REF. #	DESCRIPTION	PART #	QTY.
1	Fuel Tank Assembly (Inc. 2-8)	850-0214	1
2	Plug	23-0296	1
3	Fuel Tank (See 850-0214)	N/A Sep.	1
4	Elbow	23-0237	1
5	Fuel Pick-up Line	33-0270	1
6	Flare	23-0247	1
7	Decal-Warning-Risk of Fire (E/S)	34-0806	1
8	Fuel Cap-Vented	12-0033	1

850-0214-121797-BAR

FUEL PUMP (3-0020)

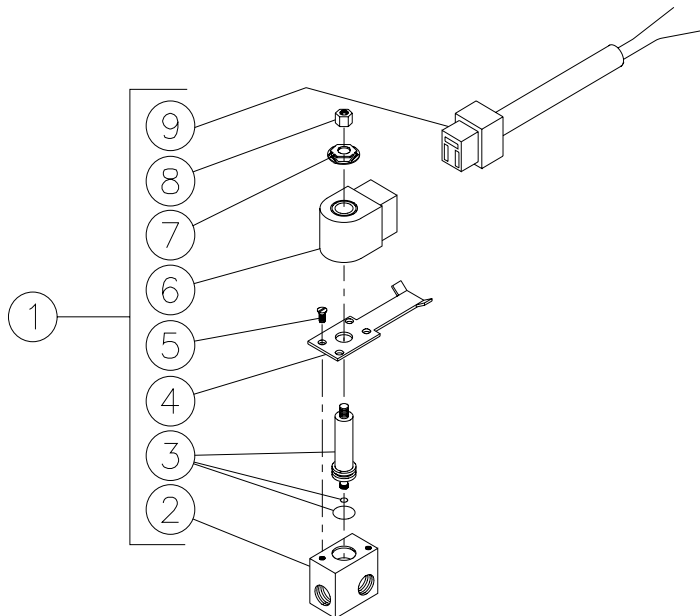
0MHSP018A-041597-BAR



FUEL PUMP (3-0020)			
REF. #	DESCRIPTION	PART #	QTY.
1	Fuel Pump Complete - Right Hand	3-0020	1
2	Cover Screw	46-1006	4
3	Cover-Right Hand	46-1005	1
4	Strainer	19-0034	1
5	Cover Gasket	26-0109	1
6	Plug	24-0044	3
7	Body	N/A	1
8	Plug	24-0082	1

FUEL SOLENOID (44-0101 AND 44-0102)

0MHSP013-44-0101&44-0102-121698-BAR

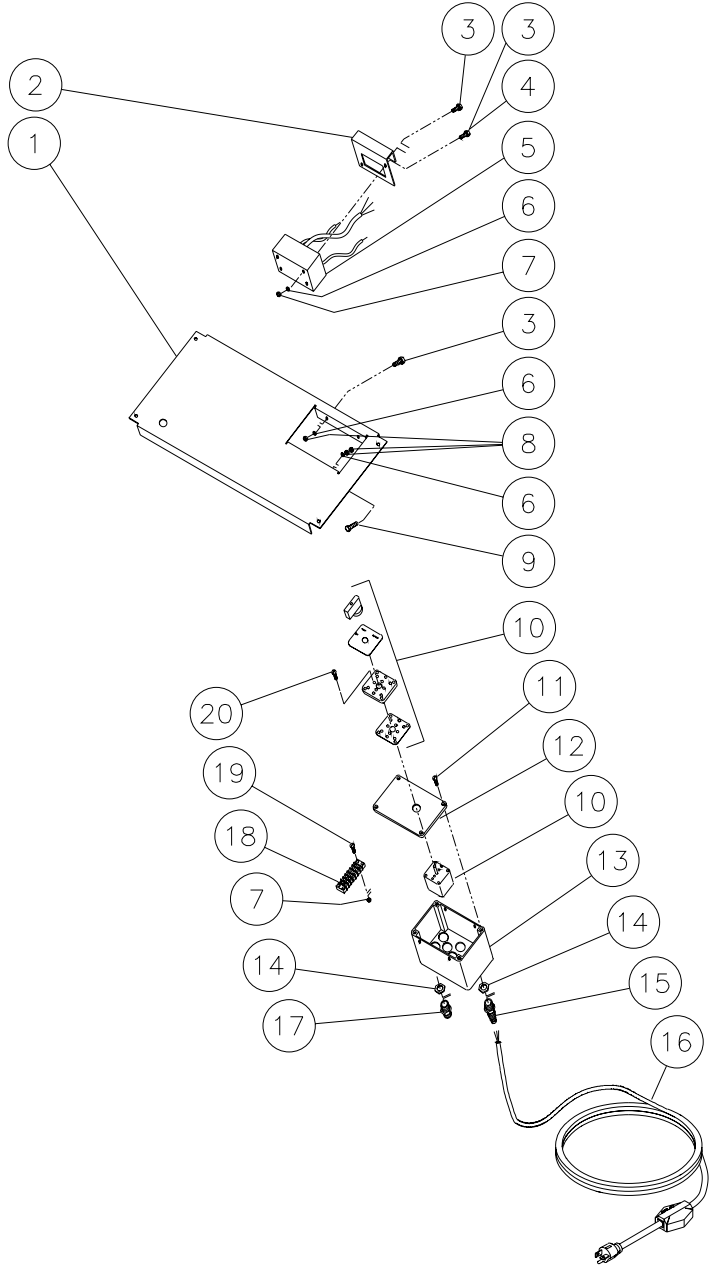


FUEL SOLENOID (44-0101 & 44-0102)			
REF. #	DESCRIPTION	PART #	QTY.
1	Solenoid Complete-120V	44-0101	1
-	Solenoid Complete-240V	44-0102	1
2	Solenoid Body	46-1013	1
3	Solenoid Piston	46-1012	1
4	Solenoid Base	46-1014	1
5	Screw (See 44-0101 & 44-0102)	N/A Sep.	2
6	Solenoid Coil-120V	46-1020	1
-	Solenoid Coil-240V	46-1021	1
7	Spring (See 44-0101 & 44-0102)	N/A Sep.	1
8	Piston Nut	46-1016	1
9	Din Connector Cord	32-0443	1

0MHSP018-041597-BAR

0MHSP013-041597-BAR

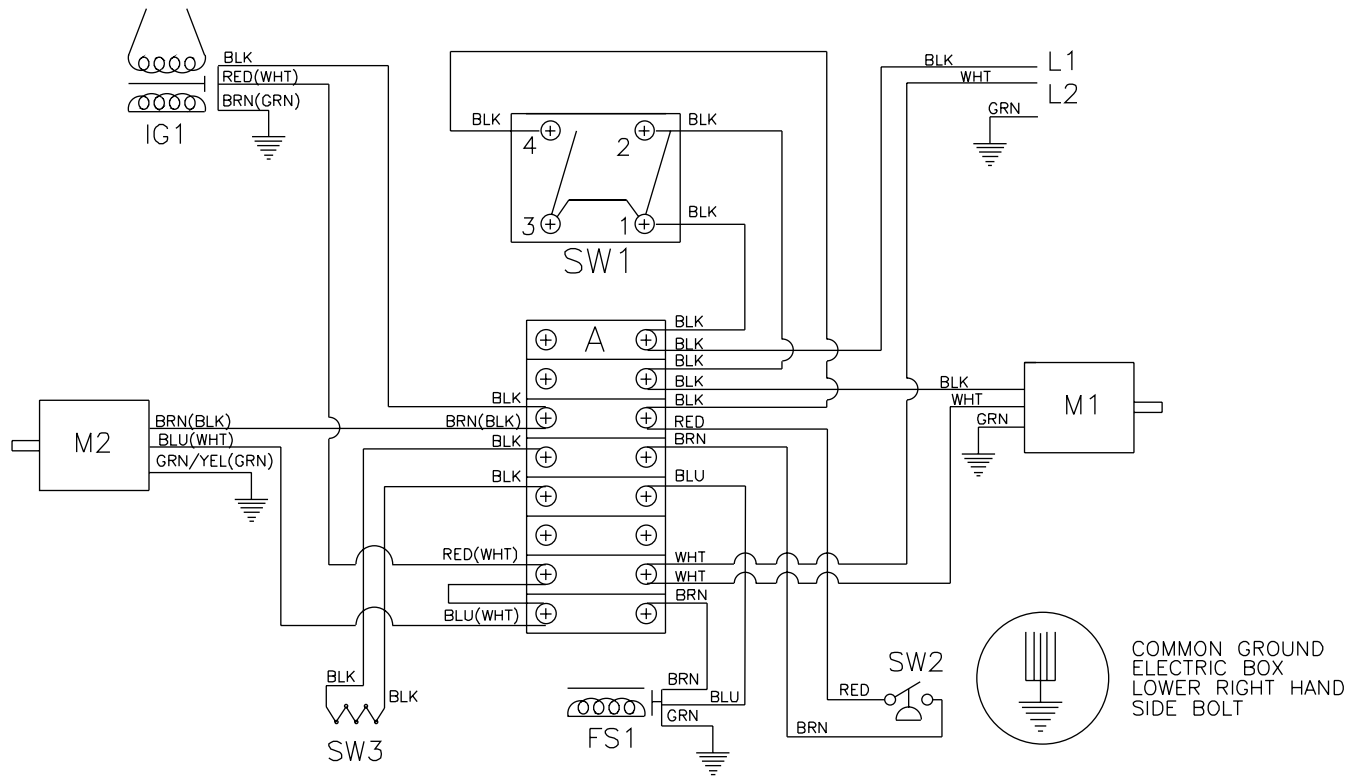
CONTROL PANEL



OMHSE008-120998-BAR

CONTROL PANEL					
REF. #	DESCRIPTION	PART #	1002 QTY.	1502 QTY.	2003 QTY.
1	Control Panel	20-0405A01	1	1	1
2	Ignitor Bracket- 120 Volt	20-0414A01	1	1	-
-	Ignitor Bracket- 240 Volt	20-0418A01	-	-	1
3	Bolt	27-9526	7	7	5
4	Bolt	27-8899	-	-	1
5	Ignitor- 120 Volt	44-0104	1	1	-
-	Ignitor- 240 Volt	850-0223	-	-	1
6	Star Washer	28-1009	4	4	8
7	Hex Nut	30-0137	2	2	6
8	Hex Nut	30-6001	5	5	5
9	Bolt	27-8807	1	1	1
10	Cam Switch-1 Pole / 3 Position / 20 Amp	32-0434	1	1	-
-	Cam Switch-2 Pole / 3 Position / 25 Amp	32-0435	-	-	1
11	Hardware Kit	70-0197	1	1	1
12	Lid-Black	32-0433A01	1	1	1
13	Electric Box-Black	32-0432A01	1	1	1
14	Locknut	32-0108	7	7	7
15	Strain Relief	32-0407	1	1	-
-	Strain Relief	32-0358	-	-	1
16	Electric Cord w/GFCI-120V/15 Amp	32-0268	1	-	-
-	Electric Cord w/GFCI-120V/20 Amp	32-0215	-	1	-
-	Electric Cord w/GFCI-250V/20 Amp	32-0333	-	-	1
17	Strain Relief	32-0437	6	6	6
18	Terminal Strip	32-0436	1	1	1
19	Bolt	27-8861	2	2	2
20	Screw	27-8897	2	2	2

WIRE SCHEMATIC FOR HSE-1002/1502-0M10



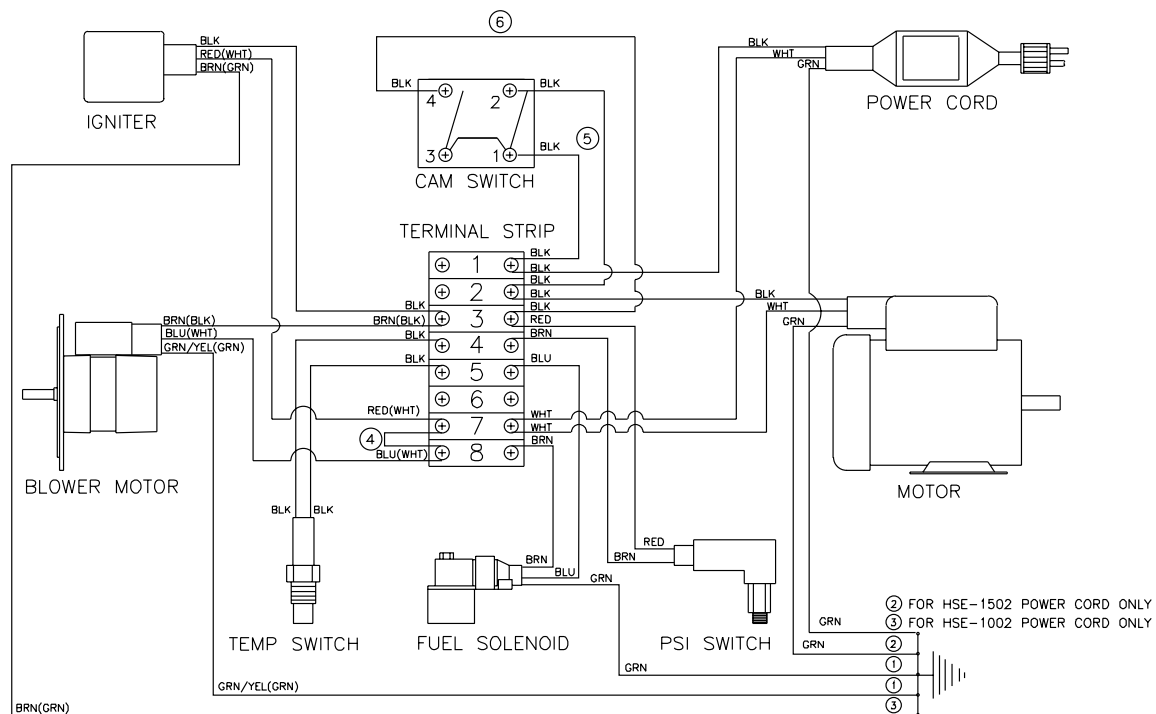
WIRE SCHEMATIC

OMHSE09S-052297-BAR

WIRING SCHEMATIC	
REF. #	DESCRIPTION
L1	Power (Black)
L2	Power (White)
M1	Pump Motor- 120 Volt
M2	Blower Motor-120 Volt
SW1	Cam Switch-1 Pole, 3 Position
SW2	Pressure Switch
SW3	Temp Switch
FS1	Fuel Solenoid-120 Volt
IG1	Igniter-120 Volt
A	Terminal Strip

COMMON GROUND
ELECTRIC BOX
LOWER RIGHT HAND
SIDE BOLT

WIRE DIAGRAM FOR HSE-1002/1502-0M10



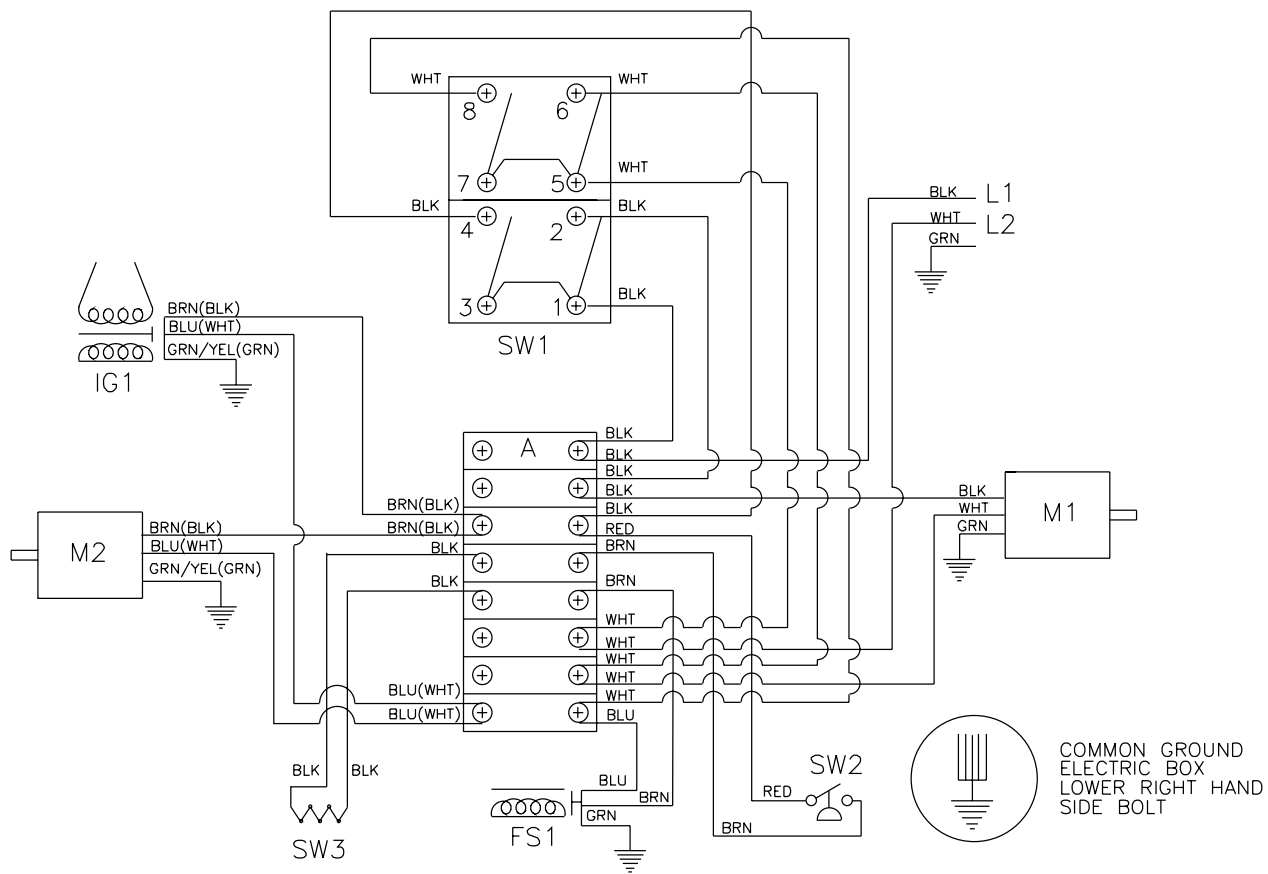
WIRE DIAGRAM

OMHSE09W-052297-BAR

WIRING DIAGRAM				
REF. #	DESCRIPTION	PART #	1002 QTY.	1502 QTY.
1	Ring Terminal-Red	32-0446	2	2
2	Ring Terminal-Yellow	32-0002	1	2
3	Ring Terminal-Blue	32-0044	2	1
4	Jumper Clip	32-0453	1	1
5	#12 Black Wire *(Two Feet Required)	32-0091	1	1
6	#16 Black Wire *(One Foot Required)	32-0256	1	1
*Must Order in One Foot Lengths				

OMHSE009A-052297-BAR

WIRE SCHEMATIC FOR HSE-2003-0M10



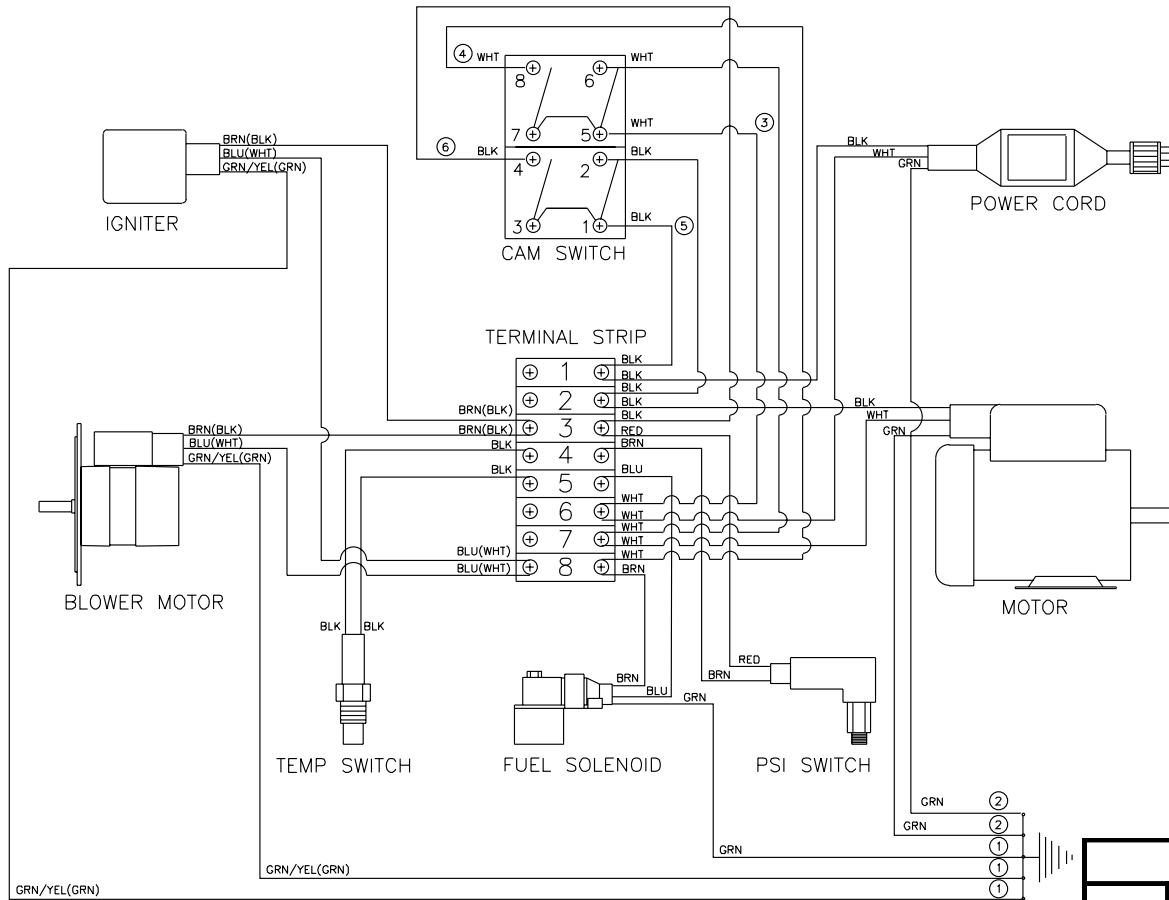
WIRE SCHEMATIC

OMHSE10S-052197-BAR

WIRING SCHEMATIC	
REF. #	DESCRIPTION
L1	Power (Black)
L2	Power (White)
M1	Pump Motor- 240 Volt
M2	Blower Motor-240 Volt
SW1	Cam Switch-2 Pole, 3 Position
SW2	Pressure Switch
SW3	Temp Switch
FS1	Fuel Solenoid-240 Volt
IG1	Igniter-240 Volt
A	Terminal Strip

OMHSE10A-052197-BAR

WIRE DIAGRAM FOR HSE-2003-0M10



WIRE DIAGRAM

OMHSE10W-052197-BAR

WIRING DIAGRAM				
REF. #	DESCRIPTION	NAPA #	VENDOR #	1002 QTY.
1	Ring Terminal-Red	N/A	32-0446	2
2	Ring Terminal-Yellow	N/A	32-0002	1
3	#12 White Wire *(Two Feet Required)	N/A	32-0452	1
4	#16 White Wire *(One Foot Required)	N/A	32-0094	1
5	#12 Black Wire *(Two Feet Required)	N/A	32-0091	1
6	#16 Black Wire *(One Foot Required)	N/A	32-0256	1
*Must Order in One Foot Lengths				

OMHSE010-052197-BAR

NOTES

NOTES

